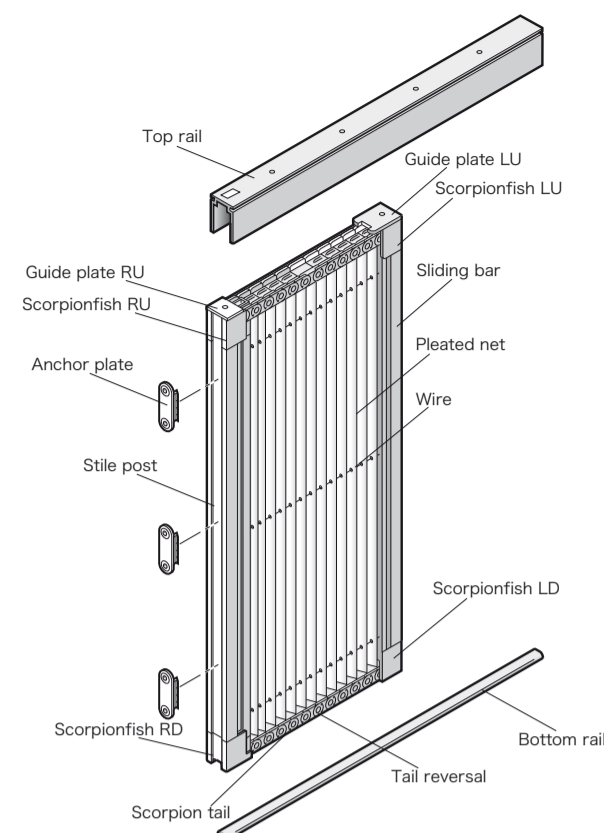
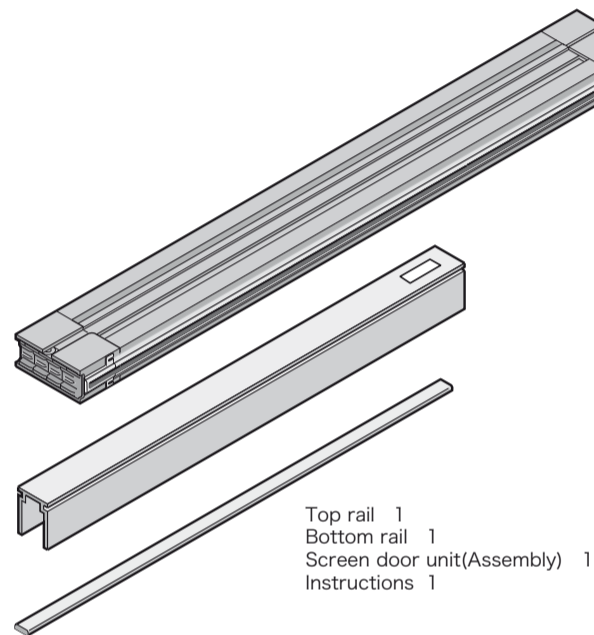


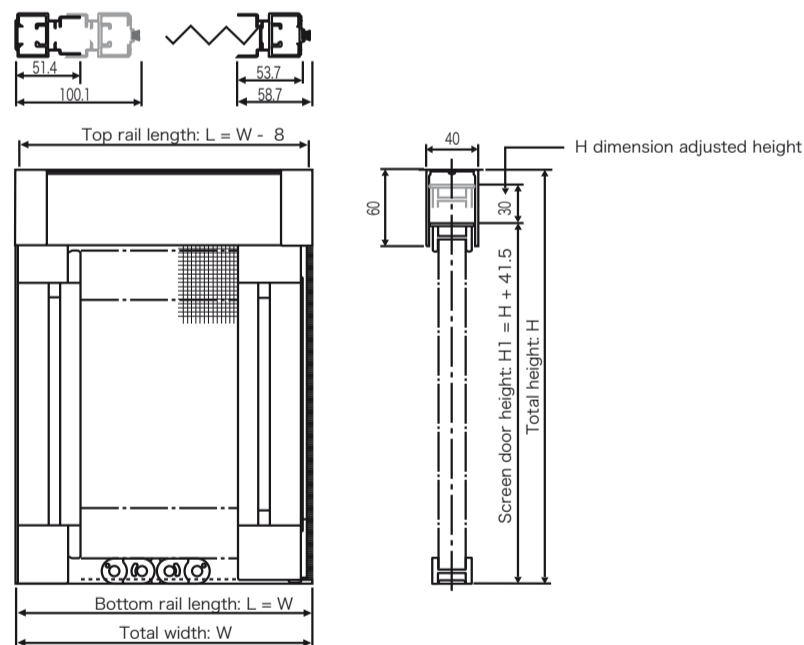
Configuration and part names



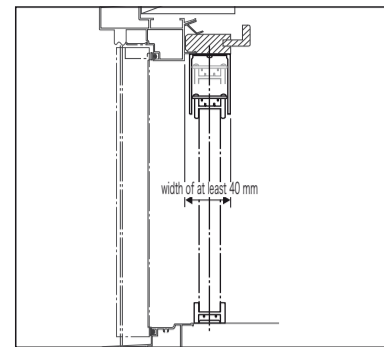
Package contents



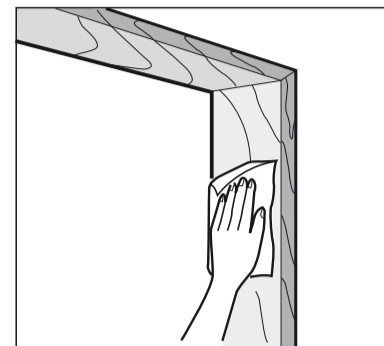
Dimensions



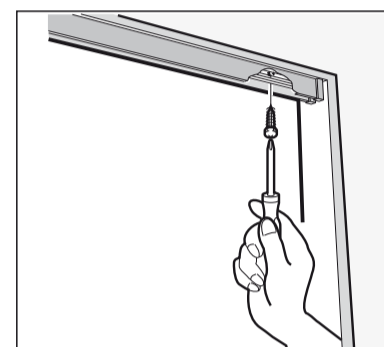
Installation



1. Reconfirm the installation location. Choose an installation location at which the screen door can be opened and closed unimpeded.
 - Choose a place where the rail and floor can be flat, and where there is a width of at least 40 mm for installation.
 - Make sure doorknobs and door closers will not interfere with the screen door after it is installed.
 - Make sure the facing surfaces at the opening are parallel and all four corners are right-angled.



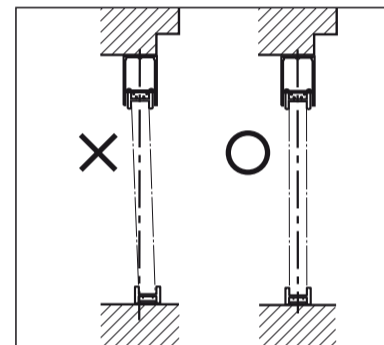
2. Clean the installation surfaces. Wipe away all oil residue, dust, water, sand and mud from the installation surface and the floor and then wipe these surfaces with a dry cloth to ensure that the product is installed properly.



3. Install the top rail. Align the top rail with the installation position and fasten it to the door installation frame with the tapping screws.

Note

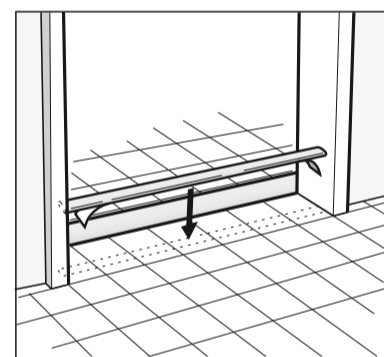
Make sure that the top rail is straight when you install it. If it is tilted or at an angle, the screen door may not open and close properly. Do not screw in the tapping screws too tightly, as this may warp the top rail. Push the end caps into both ends until they are tight and there are no gaps.



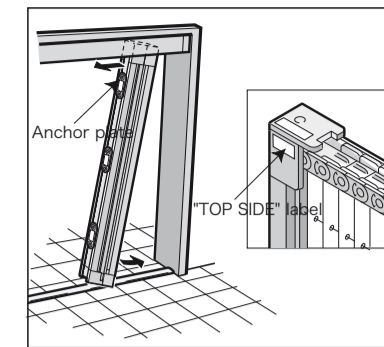
4. Install the bottom rail. Mark the position where the bottom rail is to be installed.

Note

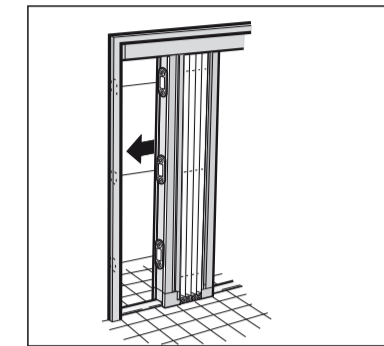
Install the bottom rail so the center line of the top rail and bottom rail match. If the center line does not match, the screen door will not open and close properly.



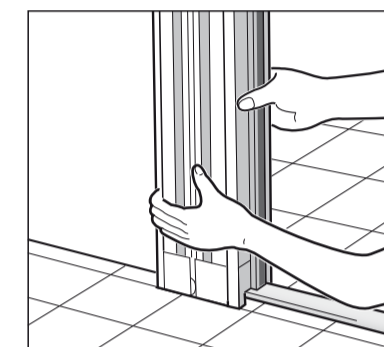
- Remove the paper covering the double-stick tape and press the rail firmly in place along the marks you have made.
- Note
- If you have to remove the rail to correct its position, the double-stick tape will lose its stickiness, so be sure to mark the position in advance and install it properly the first time. To ensure that the rail adheres properly, leave it to set for 24 hours.



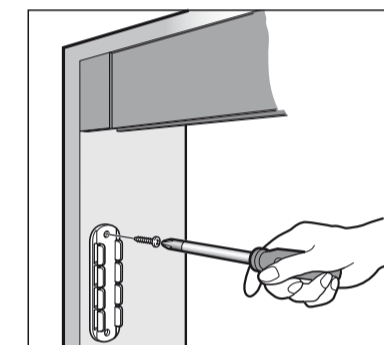
5. Attach the screen door unit.
 - Remove the binding tape from the screen door unit.
 - Check to make sure the screen door unit is right side up. The side labeled "TOP SIDE" on the scorpionfish is the top.
 - Remove the protective paper from the double-stick tape from the anchor plates fastened to the side of the stile post opposite the screen door unit.
 - Tilt the screen door unit and fit it between the top and bottom rails.



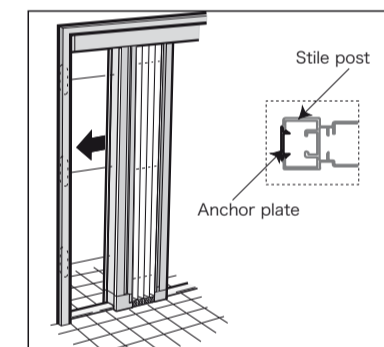
- Keeping the bottom of the screen door unit in contact with the bottom rail, press the surface with the double-stick tape firmly against the door installation frame to fasten it in place.
- Note
- Make sure the screen door unit does not stick up out of the rail. Also, do not open and close the screen door until the installation is complete, as this may damage the screen door.



6. Screw the anchor plates to the door installation frame. Hold the stile post with both hands and pull it toward the door stop. The door and stile post will come loose. Instead of pulling evenly over the whole post, it is easier to pull from one end first.

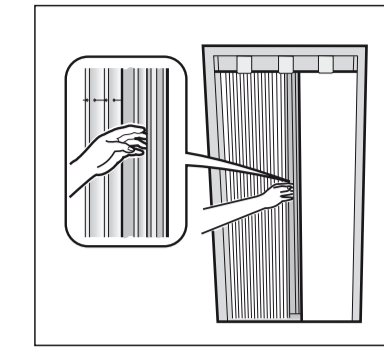


- At this point, the anchor plates are only temporarily attached to the door installation frame with the double-stick tape, so they must be fastened with tapping screws.
- Note
- Do not tighten the screws too far, as this may break the anchor plates. For this reason, you should tighten the screws by hand; do not use an electric screwdriver.



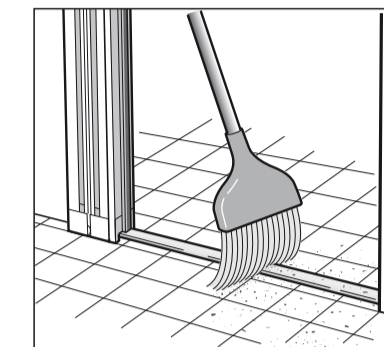
- Using the same procedure as when you attached the screen door unit, and making sure that the screen door unit does not stick out from the rail, align the stile post with the projections on the anchor plates and press firmly to fasten the screen door unit in place.

Opening and closing the screen door

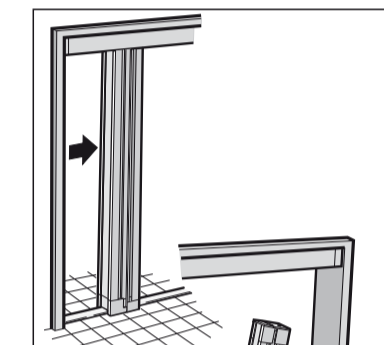


- Grasp the handle in the center of the sliding bar and pull to the side to open or close the screen door.
- Note
- The screen door may not open or close properly if the handle is pulled at too extreme an angle.

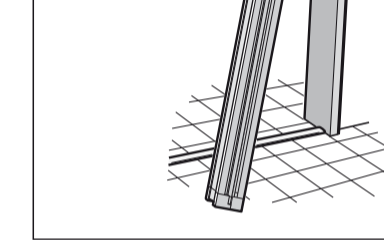
Regular Care



1. Clean the rail and surrounding area. The buildup of small pebbles, sand, dust, mud and the like on and around the rail will result in wear and eventual damage, preventing the screen door from opening and closing smoothly. Clean these areas thoroughly to remove all dirt and foreign objects.

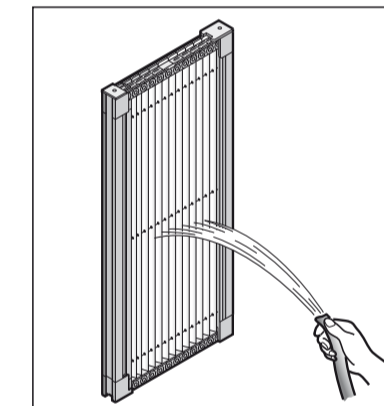


2. Remove the screen door unit. The screen door unit can be removed easily and rinsed when it is dirty. Use a soft brush or the like to clean the pleated net and scorpion tail.
 - Hold the stile post with both hands and pull the screen door unit toward the door stop. The stile post will come loose from the anchor plates. It would be easiest to pull the screen door unit in sections from the other end before doing this.
 - Tilt the screen door unit and remove it from the top rail.



3. Rinse the screen door unit.
 - Pull the screen door unit out so it is fully extended and place it upright against something.
 - While spraying water on the screen door, clean with a brush or the like.

Note: Be careful not to damage the pleated net or wire. If the screen door unit is very dirty, use a mild household detergent. Never use paint thinner, benzene or other organic solvents.



4. Drying the screen door unit. After rinsing the screen door unit, dry all parts thoroughly. Note: Replacing the screen door unit when it is not thoroughly dry may cause it to not open and close properly. Also, it is more likely to attract sand, mud, dust and the like when wet.